



LABELING & FILLING SYSTEMS

Manufacturer  
of labeling, filling  
& complete packaging lines



# Ninon Tapered

Labeling machine for pressure sensitive labels.

AUTOMATIC

CDA's Ninon Tapered allow on application of 3 labels on all your tapered products (pails, bottles, cans or buckets) with production rates of up to 40 products/minute. It adapts to different product formats simply and efficiently, without the need for any additional tooling.



## STRENGTHS

- ACCURATE LABELING ON ANY TAPERED PRODUCT
- SWIVELING LABELING HEADS
- UP TO 50 PRODUCTS MEMORIZATION

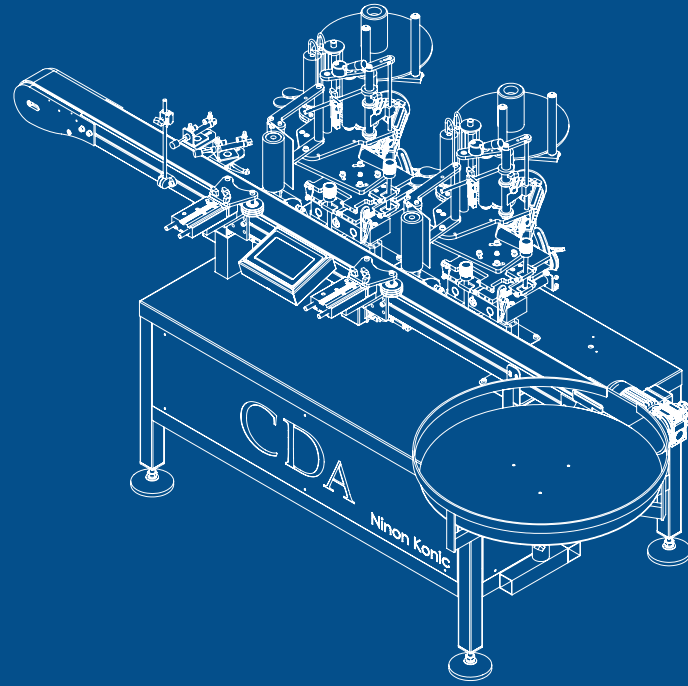
SCAN THE QR CODE TO DISCOVER THE VIDEO OF THE MACHINE IN ACTION



Pictures, production rates and technical descriptions for information only, with no contractual value.

# DRAWING

**Dimensions :**  
94" L x 61" W x 47" H



## SPECIFICATIONS

3

Up to **2 Labeling stations** for tapered product

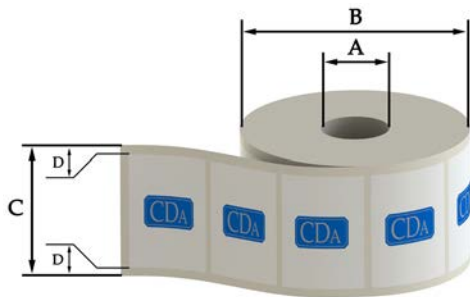
**+1 optional Labeling station** for a label application on top of the product

40  
Prod/Min

Production rate:

Up to **40 products/minute**

## ROLL OF LABELS SPECIFICATIONS



**WINDING DIRECTION:**  
**#4 LEFT OUT**

**Label reel dimensions:**

A : Inside diameter = 75mm (2.95 inches)

B : Max. Outside diameter = 260mm (10.24 inches)

C : Max. Band height = 160mm (6.30 inches) (Higher on demand)

D : Space between labels = 3-5mm (0.12-0.20 inches)

Minimal paper quality: 90g (3.17oz)

Note: The rolls have to be stored in a dry place between 15°C and 18°C (59°F and 65°F).

Machine delivered with EC Standards

**COMPLIANT WITH** (containers and labels shape):



TAPERED



www.cda-usa.com

**CDA in the world**

- Head quarter
- Subsidiaries
- Resellers



LABELING & FILLING SYSTEMS

CDA USA INC - 4310 Eubank road Richmond, VA 23231 - ☎ 804-918-3707

Website: [www.cda-usa.com](http://www.cda-usa.com)

Email: [contact@cda-usa.com](mailto:contact@cda-usa.com)