



LABELING & FILLING SYSTEMS

R1000-R1500 Range

Automatic Labeling Machine

Wine Industry

R1000 - R1500 Range

Automatic Labeling Machine



General Description

The R1000-R1500 range enables up to 4 labels applications and the crimping of metallic and PVC capsules. Production rate up to 1500 bottles/hour.

Equipped machine

Motorized Conveyor

- ▶ Anodized aluminium profile, created by CDA, receiving an acetal slate band conveyor width 82,5 mm;
- ▶ The stainless steel side guide bars in Ø12 mm are adjustable in width to allow the passage of a bottle up to Ø 110 mm and 390 mm height ;
- ▶ The motorized conveyor is built on a stainless steel frame, outfitted with blue side panels in which the electrics & electronics is integrated. Four feet on wheels allow its displacement ;
- ▶ A multi-format selection screw with a frequency variator is at the entrance of the machine to regulate the space between the bottles and the feeding speed ;
- ▶ A rotating reception table Ø 700 mm is built at the outlet of the conveyor to collect the labelled bottles.

Capsule Dispenser

- ▶ A feeding plate for capsules of 500 by 430 mm ;
- ▶ Capsule diameter of: 30 mm ± 2mm, bigger in option on request ;
- ▶ Capsule length from 30 to 75 mm ;
- ▶ Ejection of the capsules by two blowers with length and width adjustable according to the size of capsules ;
- ▶ Automatic centring and hold of the bottle necks during capsuling;
- ▶ Detection cell to detect the presence of the corks in order to avoid dispensing a capsule on an unclosed bottle ;
- ▶ Automatic centring and hold of the bottle from 60 to 110 mm de Ø without any necessity of adjustment for bottle size change ;
- ▶ Regulation of the speed and validation through the digital display ;
- ▶ Height adjustment by means of a crank.

Capsuling

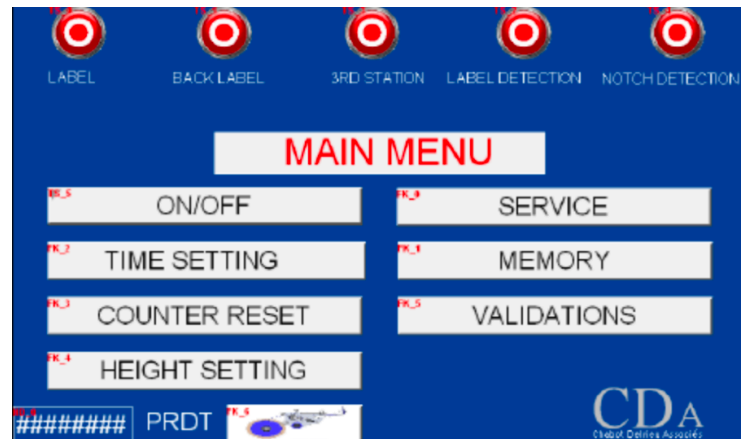
- ▶ A capsule crimper turning at 2 800 rpm, and which slides down (110 mm slide) to roll the capsule onto the bottle's neck ;
- ▶ And/or a thermal crimper with heat regulation (110 mm slide) ;
- ▶ Capsuling height adjustable by moving a magnetic sensor on the cylinders body marking the slide stop ;
- ▶ The bottle holders are ensuring an automatic centring and hold of all diameters from Ø 60 to 110 mm without necessity of adjustment for bottle size change ;
- ▶ Bottle neck diameter: 30 mm ± 2 mm ;
- ▶ Regulation of the sliding speed (up & down) through independent air limiters ;
- ▶ Speed regulation and validation of the capsuling process through the digital display.

Labelling

- ▶ One label dispenser for front labels ;
- ▶ One label dispenser for back labels ;
- ▶ One label dispenser for a third label to be applied on the cylindrical part of the bottle or one label dispenser for medal or collar labels ;
- ▶ The height of each label dispensers is adjustable by electrical up & down lifts ;
- ▶ Labeling height adjustment through digital display ;
- ▶ From 8 to 300 mm label height ;
- ▶ Nominal labeling production rate: 1 500 bt/h ;
- ▶ Adjustment and memorizing of the label positioning through the digital display.

Digital Display

- ▶ Validation area;
- ▶ Navigation keys areas;
- ▶ Product counter area;
- ▶ Label position adjustment:
- ▶ Determination of the production rates and timer adjustments;
- ▶ Storage of 50 label positions;
- ▶ Adjustment of labeling heights;
- ▶ Error detection and self-diagnostics.



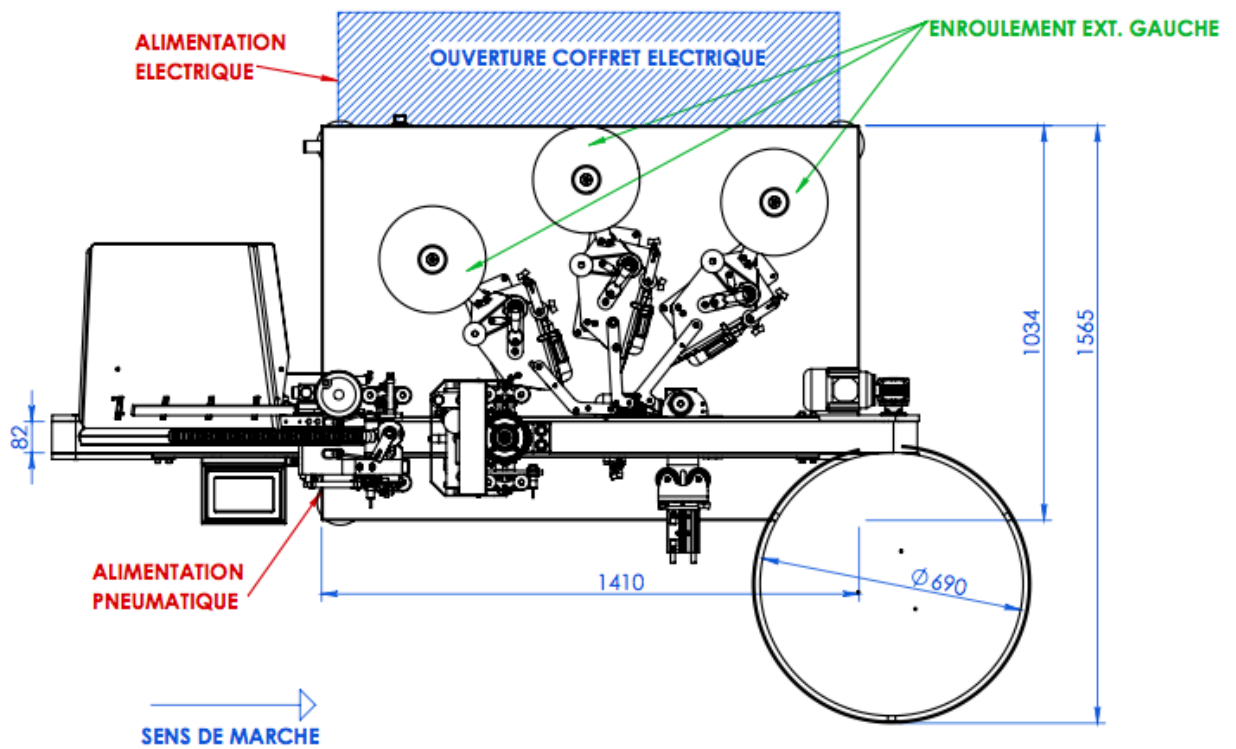
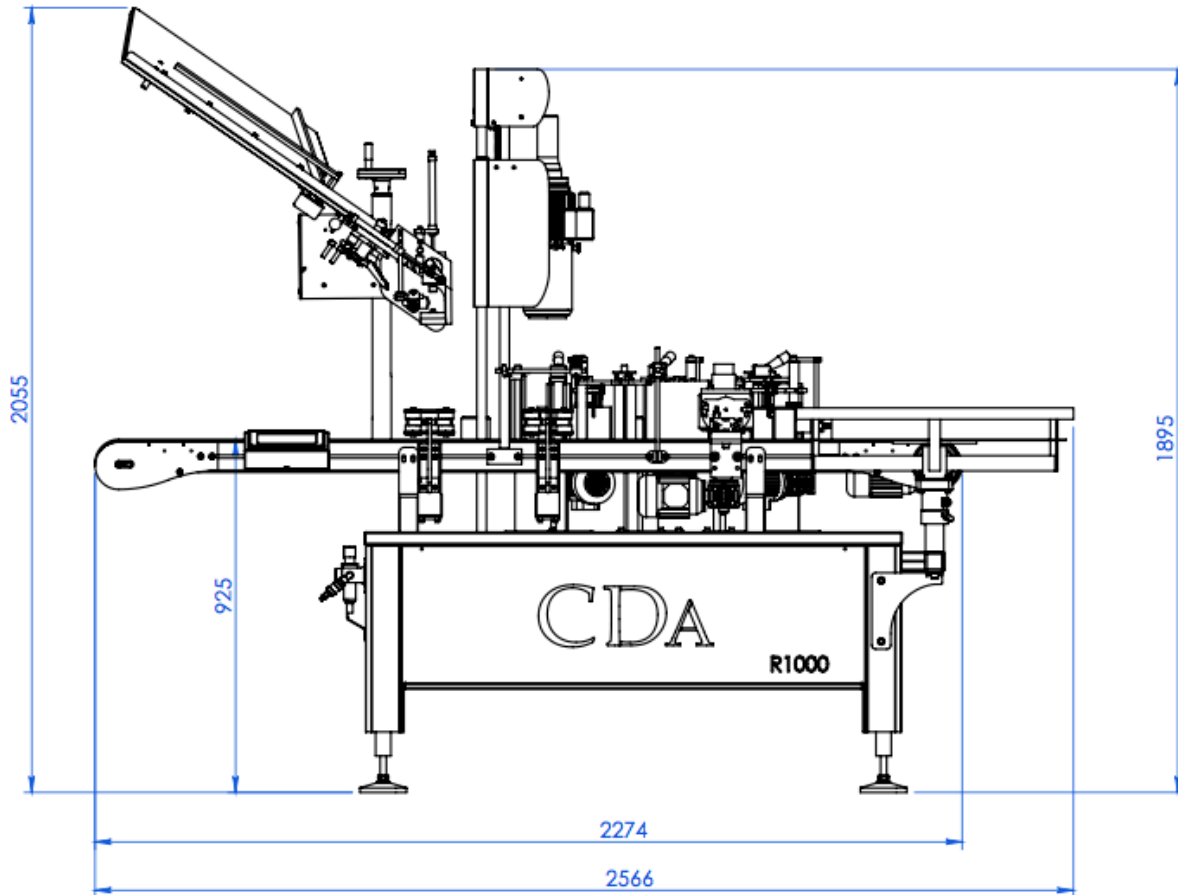
Options

- ▶ Lot marker by heat transfer ;
- ▶ Detection cell for the positioning of an additional label on already labelled bottles ;
- ▶ Detection cell for the positioning of labels on notched bottles ;
- ▶ Additional conveyor length ;
- ▶ Guiding unit for cone shaped bottles ;
- ▶ Ink jet lot marker ;
- ▶ Ultrasonic label detection sensor for transparent labels.

Technical Description

Performance	Up to 1500 btl/hour according to diameter and label positioning
Approximate weight in kgs	150 kgs
Machine width	1567 mm
Machine height	1938 mm
Machine length	2300 mm min (depending on configuration)
Conveyor height	925 mm
Control	By digital display
Absorbed power	2kw
Power supply	380 V ~ 50 Hz 16A 3 Phases + Ground 16A 220 V ~ 50 Hz 16A
Air consumption	20 m3 / hour maxi at 6 bars - Dry air non lubricated
Ideal running temperature	From 10°C to 30°C

Schematic R-1000



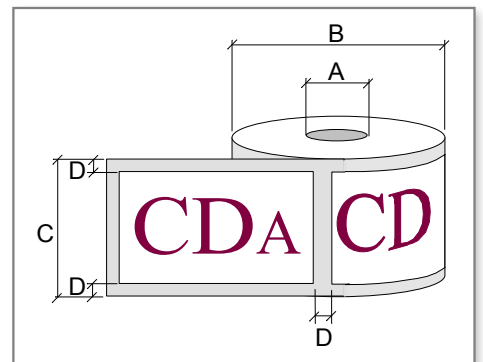
Dimensions of the label rolls

A - Inside diameter: 75 mm

B - Outside max diameter: 260 mm

C - Max. band height: 160 mm (or more on demand)

D - Space between labels: 3-5 mm



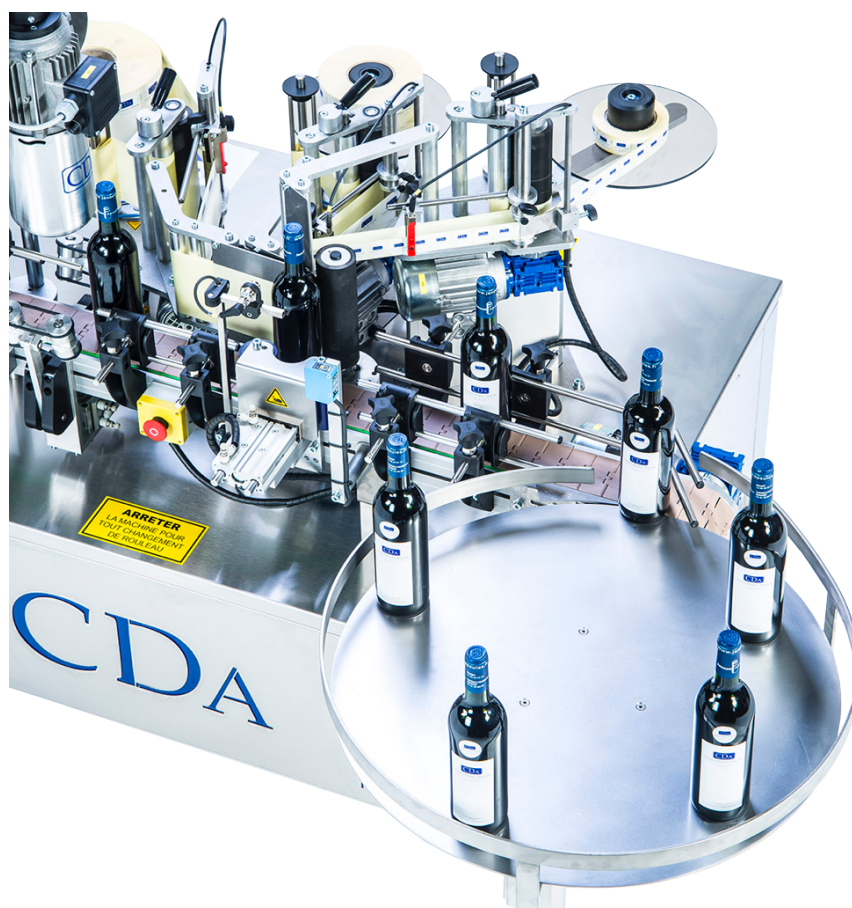
► Winding Direction : Left Out

Minimal paper quality : 90g.

Nota: The rolls have to be stored in a dry place between 15°C and 18°C.

Machine delivered with EC Standards.

Non contractual documents.





LABELING & FILLING SYSTEMS