



LABELING & FILLING SYSTEMS

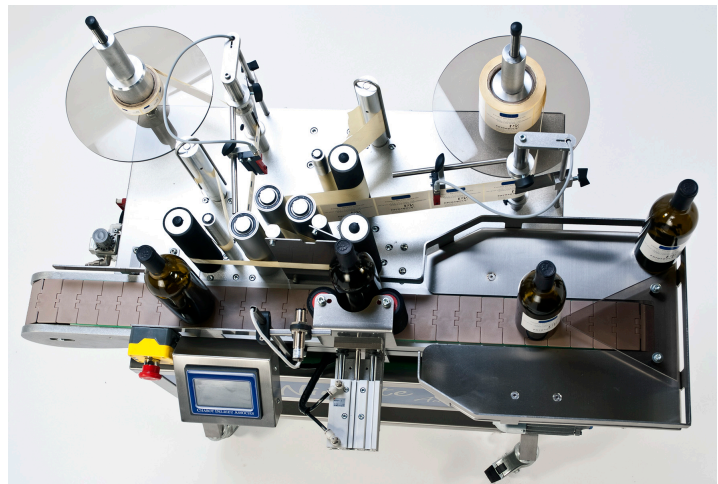
Ninette Auto

Automatic Labelling Machine

Food Industry - Chemistry - Cosmetic -
Detergency - Painting - Pharmacy

Ninette Auto

Automatic Labelling Machine



General Description

The Ninette Auto allows the application of one or two adhesive labels to all types of cylindrical products. Its production capacity can reach 17 products/minute.

This very versatile machine is equipped with an anodized aluminium motorized conveyor and labels bottles of varying formats, regardless of what they are made of (glass, PET or PVC) without any hardware change.

The Ninette Auto can be placed on a table or on its frame (available as an option) and has an interchangeable pressure application cylinder, as well as a square receiving table on the output.

Technical characteristics

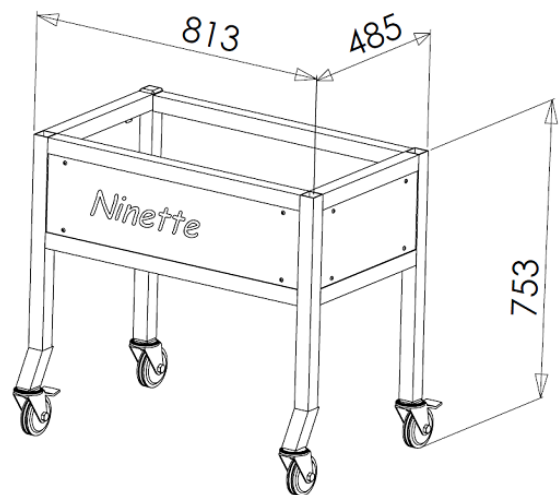
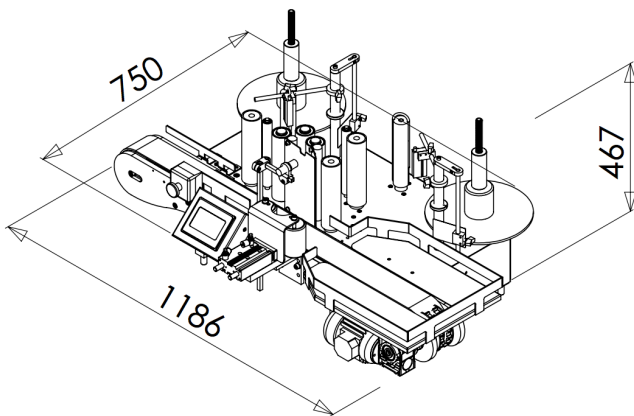
Production Rate	Up to 17 products/hour
Width	750 mm
Height	1120 mm with frame (on option)
Lenght	1186 mm
Machine control	User-friendly touchscreen
Supply voltage	220V 50HZ single-phase mains supply
Compressed air consumption	6 bar constant - Dry air non lubricated
Labelling of cylindrical supports	<ul style="list-style-type: none">• Ø 60 to 200mm with drive rollers Ø 51mm• Ø 40 to 150mm with drive rollers Ø 61mm.
Label width	Minimum of 25 mm up to 360° wrap-around
Standard Labeling Height	Up to 190 mm



Options

- ▶ The machine can be supplied with a frame on caster wheels to make it easy to move;
- ▶ Application of labels with large backing strips;
- ▶ Application of labels on supports with protrusions;
- ▶ Installation of locating sensors (notch, label, weld seam, pattern or dot) for perfect label positioning; as well as ultrasonic label detector cells (for transparent acetate labels);
- ▶ Integration of a die-stamp or inkjet batch marking system.

Schematic Ninette Auto



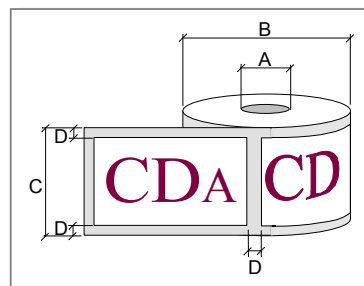
Dimensions of the label rolls

A - Inside diameter: 75 mm

B - Outside max diameter: 260 mm

C - Max. band height: 190 mm

D - Space between labels: 3-5 mm



- ▶ Winding Direction : Left Out



LABELING & FILLING SYSTEMS