



LABELING & FILLING SYSTEMS

Ninon 1500 - 2500 Range

Automatic Labeling Machine

Food Industry - Chemistry - Cosmetic -
Detergency - Painting

Ninon 1500-2500 Range

Automatic Labeling Machine



General Description

The machines from the Ninon 1500/2500 range provide a labeling application versatility on a large panel of cylindrical and conical products for a cadence up to 50 products/minute.

Motorized slate band conveyor

- ▶ Anodized aluminum extrusion, created by CDA; receiving an acetal slat band chain conveyor, width 82.5 mm (3.25"); if required by the size of the products to be labeled
- ▶ Adjustable stainless steel guides, diameter 12mm (1/2"), are adjustable to allow the passage of products up to 110mm (4.3") diameter on single conveyor, 220mm (8.6") on double conveyor
- ▶ The motorized conveyor is built on a stainless steel frame, outfitted with blue side panels in which the electrics & electronics is integrated. It is built on wheels or on adjustable feet
- ▶ According to the products to be labeled, a selection system is installed at the inlet of the conveyor. Either a multi-format selection screw regulated by frequency converter or a pneumatic selector with one or two cylinders according to product size.

According to required outfit:

- ▶ A large rotating accumulation table, Ø 700mm (27.56"), is built at the outlet of the conveyor to recollect the labeled products
- ▶ A transfer system is built at the end of the conveyor.

Labeling

- ▶ One labeling station to apply labels on cylindrical products including:
 - One label dispenser for front labels
 - One label dispenser for back labels
 - One label dispenser for a third label.
- ▶ The label dispensers are outfitted with asynchronous motors regulated by frequency converters
- ▶ All label dispensers are built on motorized up & down lifts to adjust the labeling height
- ▶ The labeling height is adjusted through the digital display
- ▶ Standard label height from 8 to 160mm (1/3" to 6.3") - option up to 300 mm (11.8")
- ▶ Machine production rate, front/back label: up to 1,500 products an hour (25/min) according to size and labeling type.

Digital Display

- ▶ Validation zone;
- ▶ Adjustment settings;
- ▶ Bottle counter;
- ▶ Label positioning;
- ▶ Regulation of production rate and process timing;
- ▶ Position memorizing – 50 positions;
- ▶ Labeling height adjustment;
- ▶ Process error detection and diagnosis.

Options

- ▶ Lot marking with hot foil coder ;
- ▶ A detection cell to apply an additional label on already labeled products ;
- ▶ A notch detection cell to apply and position labels on notched products ;
- ▶ A vision camera to detect designs or shapes ;
- ▶ Additional conveyor length ;
- ▶ A special guiding device for cone shaped bottles ;
- ▶ Inkjet lot marker ;
- ▶ Ultrasonic label detector cell for transparent labels;
- ▶ Clutched support plate for heavy label reels ;
- ▶ Alarm light mast to notify dysfunctions ;
- ▶ Sensor to detect the end of the label roll ;
- ▶ Detection sensor to detect a missing label on the product to be labeled.

Dimensions of the label rolls

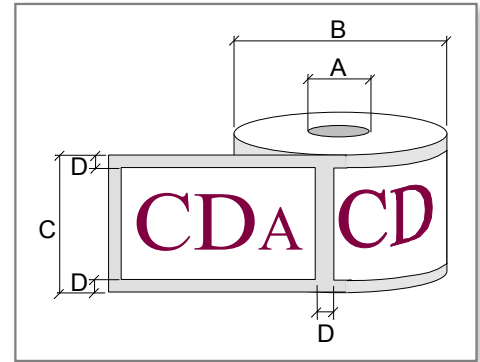
A - Inside diameter: 75 mm (2.95 inches)

B - Max. outside diameter: 260 mm (10.24 inches)

C - Max. band height: 160 mm (6.30 inches)

D - Space between labels: 3-5 mm (0.12-0.20 inches)

► Winding direction : Left Out

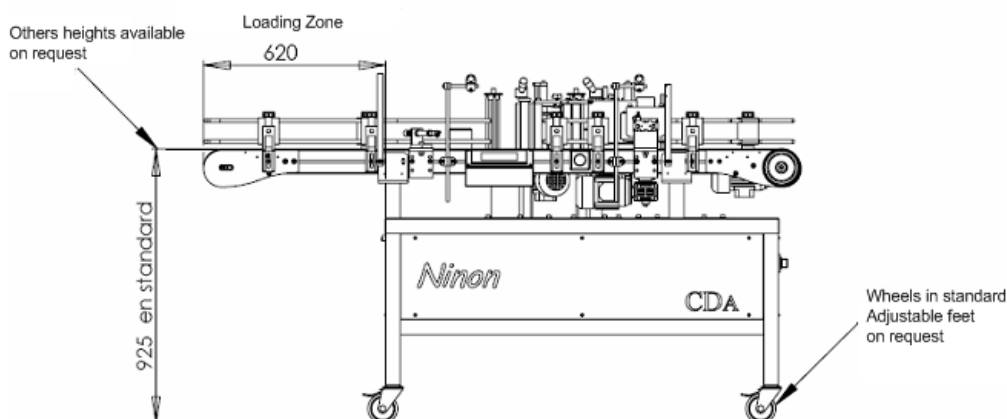
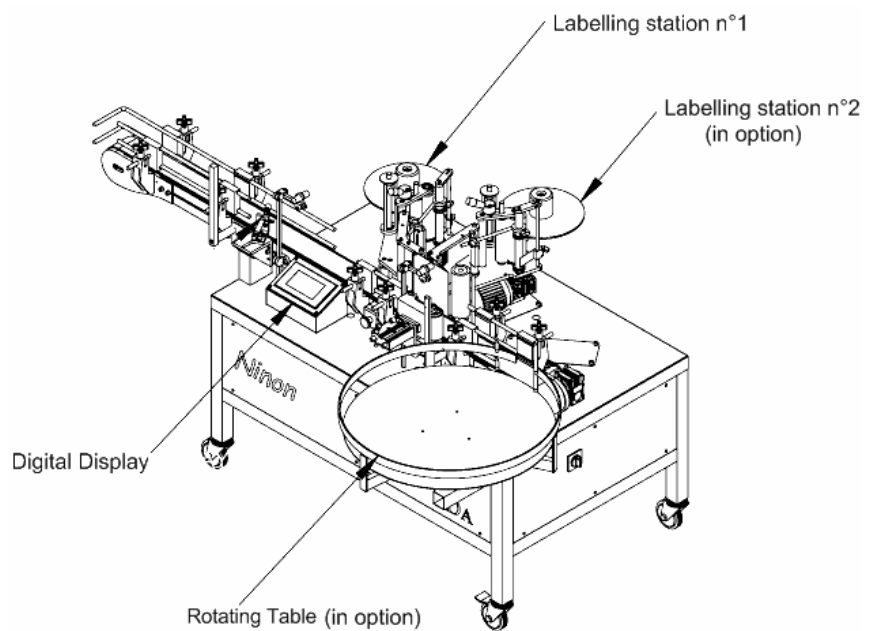


Minimal paper quality : 90g (3.17 oz).

Nota: The rolls have to be stored in a dry place between 15°C and 18°C (59°F and 65°F).

Machine delivered with EC Standards.

Non contractual documents.





LABELING & FILLING SYSTEMS