



LABELING & FILLING SYSTEMS

Ninette 1

Semi Automatic Labeling Machine

Food Industry - Chemistry - Cosmetic -
Detergency - Painting

Ninette 1

Semi Automatic Labeling Machine



General Description

Semi-automatic labeling machines to apply self adhesive labels onto cylindrical items any kind.

These machines, very multivalent, allow the labeling of bottles as well as jars, pots, tubes, cartridges, tin cans, however: a large range of products!

Also, these machines may integrate diverse options:

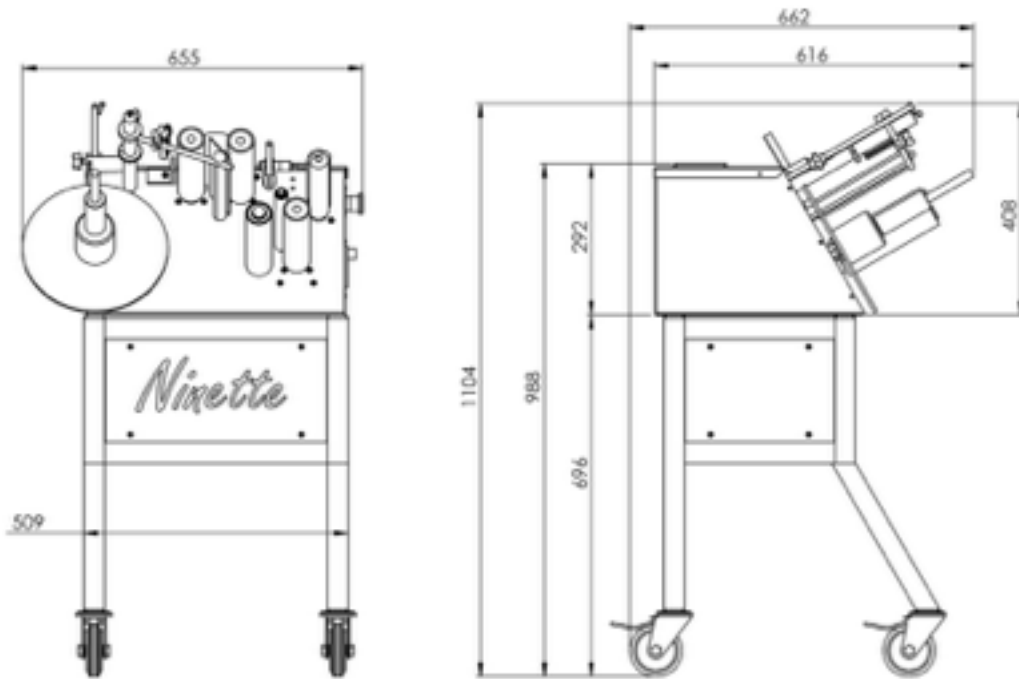
- ▶ For applications with diverse types of detection cells in order to position the labels on the items to be labeled;
- ▶ To apply labels with large height;
- ▶ To apply labels onto items that have prominences (cans, caps on jars);
- ▶ To apply labels onto cans with handle;
- ▶ To apply labels on light or small items.

Technical Characteristics:

Semi-automatic labeling machines to be installed on a table including:

- ▶ 1 label dispenser to apply self adhesive labels on cylindrical items ;
- ▶ Machines working with single phased electrical supply 220 V 50 HZ or 110V 60 HZ ;
- ▶ Machines to apply labels on cylindrical items in Ø 60 to 200mm with a machine outfitted with Ø 51rolls; and Ø 45 to 150mm with Ø 61 rolls ;
- ▶ A version of this machine can be used for pails in Ø 300 mm ;
- ▶ The machine may be outfitted with special detection cells for the positioning of the labels taking the reference from a design, a notch, a label, a welding (on cans or sprays) a special mark and also with a label gap detection cell for transparent labels ;
- ▶ Label sizes: width mini 25 mm (up to Ø 85, 30mm if bigger) full wrap 360° (the quality of the paper has to be chosen according to this application), on every kind of material (pet, pvc, glass, metal, cardboard...);
- ▶ Standard labeling height up to 190 mm (300 mm on request) ;
- ▶ Possibility to integrate a lot marking device ;
- ▶ Production rate can reach up to 15 products/minute or 1000 bottles/hour depending on the operator ;
- ▶ The machine can be delivered with a stand built on wheels.

Schematic Ninette 1



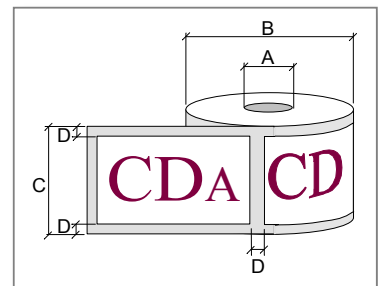
Dimensions of the label rolls

A - Inside diameter: 75 mm

B - Outside max diameter: 260 mm

C - Max. band height: 190 mm

D - Space between labels: 3-5 mm



► Winding Direction : Left Out



LABELING & FILLING SYSTEMS