

VS400

Automatic capping machine

The VS400 is a capping machine which allows to cap all types of bottles having a screw thread on the neck and being able to receive a cap to be screwed



The VS400 is an automatic capping machine equipped with :

- A product detection and stopping device for manual application of caps with a cap presence control cell.
- A product detection and stopping device under the capping head, with a pneumatic cylinder with «V» tip and anti-rotation plate.
- Capping machine with electric height adjustment equipped with a capping head for one cap format.

Available options

- Additional conveyor length
- An additional capping head
- An additional centering V holder

Before any validation of order, we can carry out free tests in order to ensure the feasibility of your project. Do not hesitate to contact us!

Limits of VS400

- Capping of «pump» or «spray» type bottles

Technical characteristics VS400

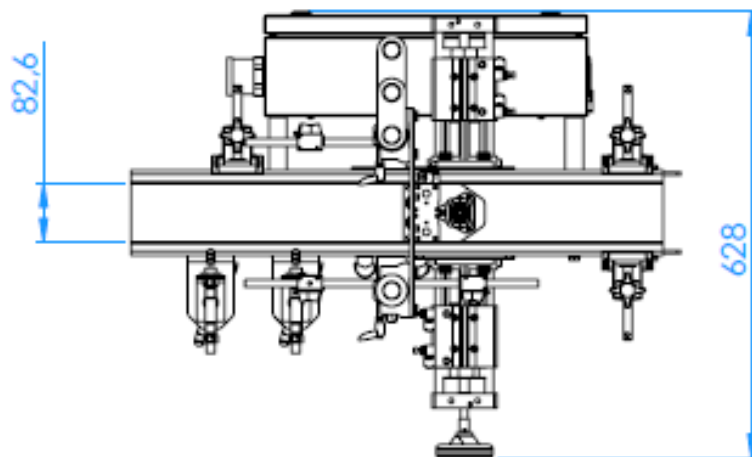
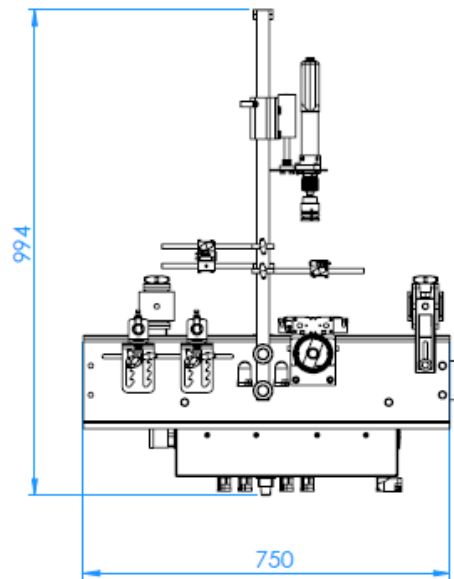
APPROXIMATE MASS (LBS)	308 lbs - 140 kg (depending option)
DIMENSIONS (WITH FRAME)	29" - 730 mm in width 69" - 1740 mm in height 79" - 2010 mm of depth
IDEAL OPERATING TEMPERATURE	from 50°F to 90°F (10°C to 30°C)

Please note that this machine requires an electrical and pneumatic power supply

Technical focus n°1

CAPPING HEAD

The capping heads are custom designed according to the samples (plugs) specified at the time of the order and received by our quality department. A change or addition of a plug would entail a change of the tooling.



Photos, rates and descriptions are indicative and not contractual