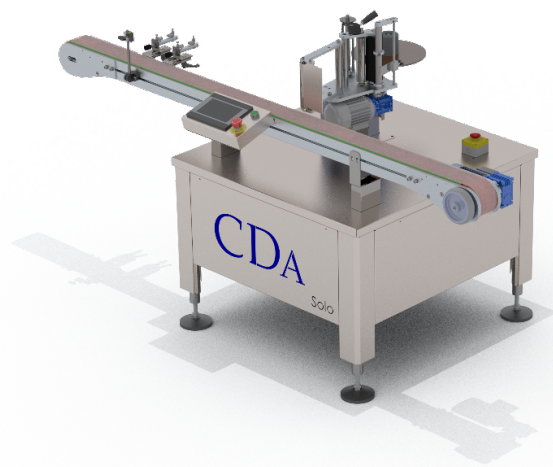


Solo Konic

Automatic labeling machine for conical products.

Automatic adhesive labeler - applies 1 label per product.

Machine suitable for cylindrical products with a diameter of between 15 and 115 mm.



The Solo Konic is an automatic labeler equipped with :

- All stainless steel chassis.
- Motorised conveyor (82.6mm wide).
- A labeling station adapted to conical products (CONICAL POST). The height of the station can accommodate reel heights from 10 mm to 155 mm (standard). Label application height can be adjusted via the touch screen. The station is equipped with a tilting table, a detachable plate and a tilting straightener.
- A 40 and 76 mm mandrel on which to place the roll of labels. The label roll is designed to be wound on the outside left.
- A product detection cell to trigger label application.
- A pressure-sensitive cylinder and its tooling for products with a diameter of between 40 and 115 mm.
- A touch screen to control and adjust the machine, plus a product counter.

- A stainless steel conveyor with a choice of chain widths of 82.6, 114.3 or 190.5 mm
- An aluminium profile conveyor with 190 mm chain width (82.6 mm as standard).
- A locking system for product timing (by double jack, guided jack, motorised wheel, etc.).
- A CONIQUE station extension. This option can accommodate reel heights of 285mm (compared with 155mm as standard).
- Machining of the drive rollers.
- A multi-format clamping cylinder.
- A reception table for rectangular products (up to 24 products depending on size).
- An independent rotary table for receiving products with a diameter of 700 or 1000 mm.
- A marker/coder to apply a use-by date, barcode, etc.
- A register cell to align the label with a notch, label, handle, image, weld, etc.
- An ultrasound cell for transparent labels.

This machine is upgradeable: the above options can be added on site with the intervention of a technician.

Limits of Solo Konic

- Containers made of flexible plastic or with glass defects
- Containers with a taper greater than 15
- Containers with inverted taper

Technical specifications

| | |
|---|---|
| APPROXIMATE WEIGHT IN KG | 200 kg (depending on the option) |
| DIMENSIONS (WITH CHASSIS AND DEPENDING ON THE OPTION) | 1003 mm wide 1220 mm high 2092 mm long |
| POWER CONSUMPTION | 1 kW (depending on the option) |
| VOLTAGE/ELECTRICAL SUPPLY | 1 220 volt cable - length 6 metres (To be specified when ordering) |
| PNEUMATIC POWER SUPPLY | 6 bar constant - Dry, non-lubricated air (hose Ø Int/Ext = 8/10 mm) |
| CONTROL | by touch screen |
| IDEAL OPERATING TEMPERATURE | from 50°F to 90°F (10°C to 30°C) |

Please note that this machine requires an electrical and pneumatic power supply.

Technical focus n°1

WINDING DIRECTION CONICAL STATION: OUTSIDE LEFT

The machine is designed to take rolls of labels with a left-hand winding direction. In addition, the roll dimensions must be as follows:

- a : core diameter = 76 mm (40 mm optional)
- b : max. roll diameter = 325 mm
- c : maximum coil height = 155 mm (285 mm optional)
- d : scaling = 3-5 mm

The characteristics (material, grammage, adhesive, dimensions, etc.) of the label must be consistent with the requirements and the type of bottle.

Note : Label reels should be stored in a dry place between 15°C and 18°C.

Don not hesitate to contact your sales representative or your printer, case-by-case solutions can be found.

Technical focus n°2

TOUCHSCREEN

The colour touch screen makes it easy to set a number of parameters, such as :

- Selecting stations and options.
- Timer settings.
- Keying speed
- Day counter.

Technical focus n°. 3

MOTORISED CONVEYOR

The conveyor designed by CDA is made of an anodised aluminium profile, which holds a 82.6 mm wide acetal pallet chain (the width of this chain can be 190 mm upon request). Width-adjustable stainless steel side guides (diameter of 12 mm) guide the passage of the products. The conveyor/motor unit is mounted on a stainless steel frame into which the electrical box is integrated.

Technical focus n°. 4

CONIC POST

The label application station for tapered products is driven by asynchronous motors and frequency inverters (adjustable label output speed). This station rotates the tapered products while tilting to apply the labels (standard maximum reel height 155 mm).

The CDA labeling station is mounted on an electric column, allowing the label application height to be adjusted via the touch screen. No manual adjustments or tools are required to set the label height.

The CONIQUE station's reel support tray can accommodate a roll of labels with a diameter of 325 mm (standard). Lastly, the station is equipped with a 'fixed' weeding cell for storing label outputs.

Technical focus n°. 5

MACHINED ROLLERS (optional)

If one of your products to be labeled has protrusions (such as a tin can), the use of machined rollers may be essential.

Technical focus nº.6

INTERCHANGEABLE PLACER JACK CONICAL POST (optional)

The table below shows the dimensions of the conical products you can label with the equipment on offer.

| Interchangeable Platen Cylinder | Ø Mín | Ø Máx |
|---------------------------------|-------|-------|
| Arms and rollers KONIC S | 60 | 100 |
| Arms and rollers KONIC M | 100 | 150 |
| Arms and rollers KONIC L | 150 | 200 |

Technical focus nº.7

DISENGAGEABLE TRAY

The disengageable platen is a simple mechanical device that limits the effects of the weight of the label reel (which varies over time). Each time the web is pulled, the plate (which is mounted on a bearing) is released to rotate and then braked once the pull is complete. What's more, the disengageable plate allows the maximum reel diameter to be increased from 260 mm to 325 mm.

Technical focus nº.8

ULTRASON CELL (optional)

The ultrasonic cell is used to detect labels and transparent media. If you have transparent labels, this option is essential for the machine to work properly. In addition to detecting transparent labels, this cell also detects opaque labels.

Technical focus nº.9

LABEL SPOTTING CELL (optional)

The «label locating» cell detects a label already present on the bottle in order to guide the application of a new label (a medal, a back label, and so on.).

Technical focus nº.10

RECTANGULAR RECEPTION TABLE

The rectangular reception table is installed at the machine exit to collect the labeled bottles. The table measures 580 x 460 mm and can receive up to 45 containers (for a Ø60 mm diameter container).

