

K-DY

Semi-automatic manual filling machine



The K-DY is a semi-automatic filler equipped with :

- A 304L stainless steel frame
- Touch screen for easy operation.
- An electromagnetic or mass flow meter (depending on the type of product).

- Dosing volumes of less than 5L (6Gal)

Technical characteristics K-DY

APPROXIMATE MASS (KG)	80 kg
DIMENSIONS (WITH FRAME)	570 mm in width 1600 mm in height 760 mm of depth
POWER CONSUMPTION	1 kW
SUPPLY VOLTAGE	220V MONOPHASÉ (depending on the choice of dosing system) 50Hz
FREQUENCY	~ 50 Hz 16 A
COMMANDE	by digital display
IDEAL OPERATING TEMPERATURE	from 50°F to 90°F (10°C to 30°C)

Please note that this machine requires an electrical and pneumatic power supply.

Technical Focus n°1

PNEUMATIC / POWER SUPPLY

Pneumatic connection: 1 air connection on pressure gauge - Under 6 bars constant (Hose to be provided \varnothing Int/Ext = 8/10 mm).

Electrical connection: 1 Cable 208-250 volts single phase - length 18 feet - you will need to supply your plug matching your wall outlet.

Technical Focus n°2

DIGITAL DISPLAY

The color touch screen allows easy adjustment of several parameters such as:

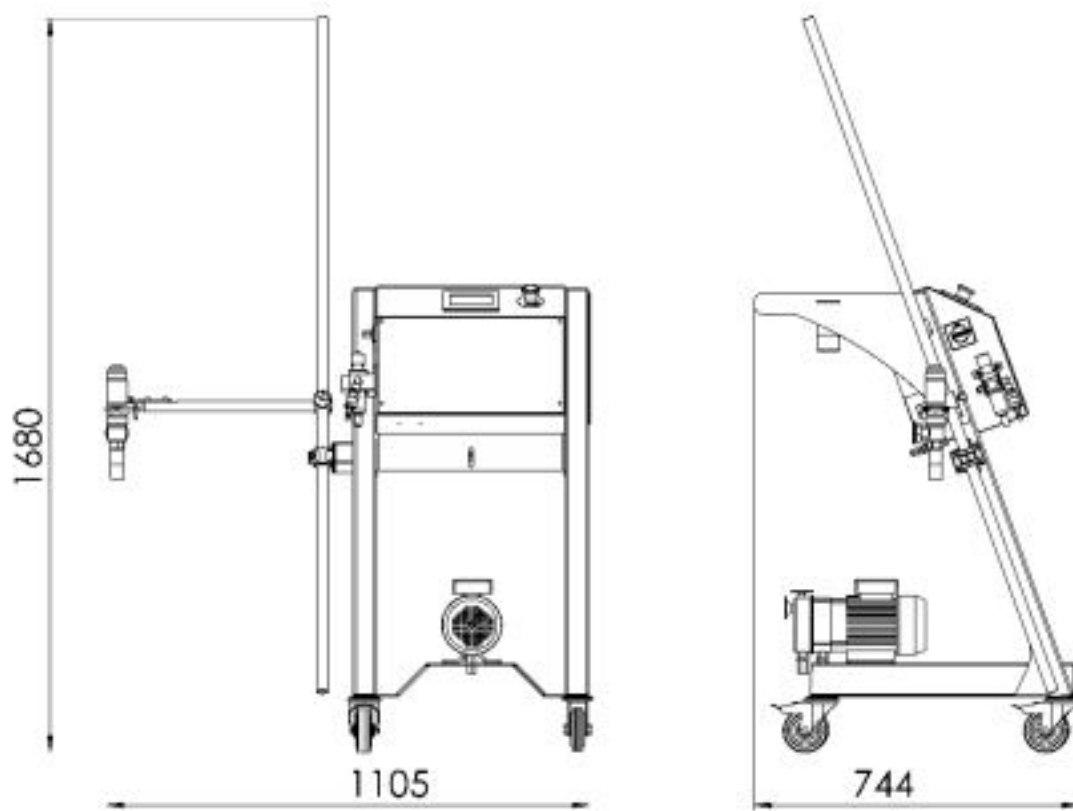
- Dose adjustment.

- A production counter.

Technical Focus n°3

FLOW METERING

Flowmeter metering is generally used for free-flowing to slightly thick products without lumps in suspension. It is carried out by the action of a rotary pump, a flow meter and a dosing head. The mass flowmeter is compatible with all types of product and allows dosing by mass, while the electromagnetic flowmeter is only compatible with conductive products and allows dosing by volume.



Pictures, production rates and technical descriptions for information